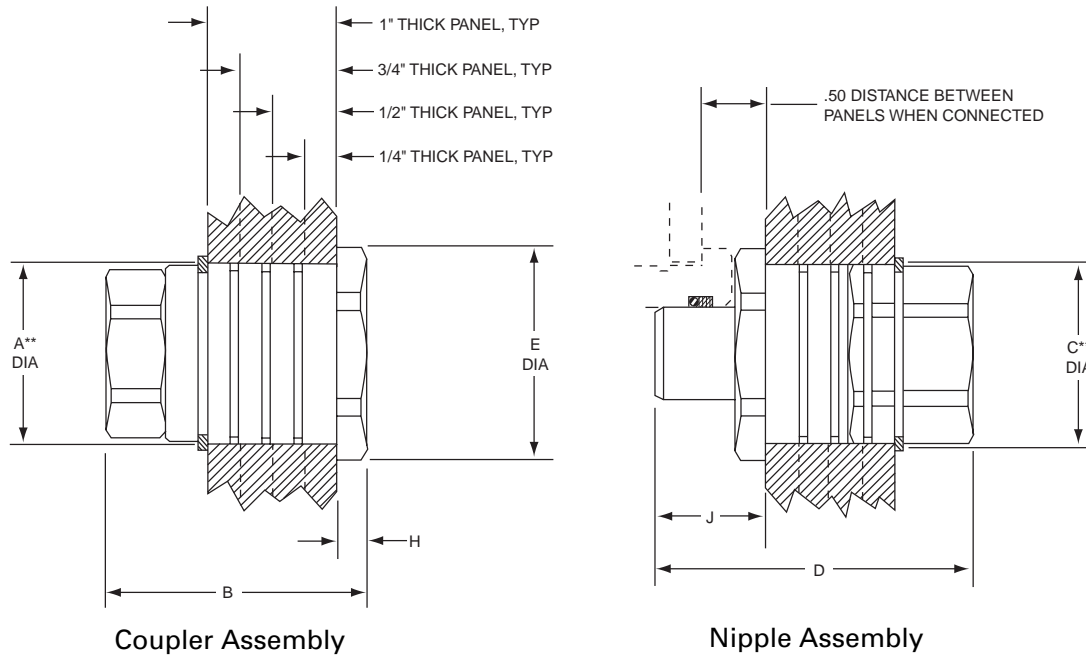


MP-1 SERIES

Panel Mount Couplings 1/4" - 4" Sizes



** Recommended hole size.

Snap-tite
COMPONENTS, INC.

Quick Disconnect & Valve Division
201 Titusville Road
Union City, PA 16438-8699 USA
PH: 814-438-3821 FAX: 814-438-3069
e-mail: qd&v_sales@snap-tite.com
www.snap-tite.com

Snap-tite
EUROPE, B.V.

Industrial Estate
Whitemill - Wexford
Republic of Ireland
PH: 353-53-41566 FAX: 353-53-41582
e-mail: snap-tite@snap-tite.iol.ie
www.snap-tite.com

ISO-9001 Certified

Unit Size	A Dia +/- .005		B +/- .03		C Dia +/- .005		D +/- .03		E Dia		H		J	
	in	mm	in	mm	in	mm	in	mm	in	mm	in	mm	in	mm
1/4"	1.032	26.21	1.65	41.91	1.032	26.21	2.14	54.36	1.38	35.05	.24	6.10	.81	20.57
3/8"	1.125	28.58	1.82	46.23	1.125	28.58	2.14	54.36	1.38	35.05	.24	6.10	.86	21.84
1/2"	1.375	34.93	2.04	51.82	1.375	34.93	2.48	62.99	1.65	41.91	.24	6.10	.86	21.84
3/4"	1.688	42.88	2.42	61.47	1.688	42.88	2.55	64.77	2.06	52.32	.24	6.10	1.14	28.96
1"	2.063	52.40	2.58	65.53	2.063	52.40	2.55	64.77	2.48	62.99	.24	6.10	1.03	26.16
1-1/4"	2.250	57.15	3.54	89.92	2.250	57.15	3.41	86.61	2.75	69.85	.24	6.10	1.16	29.46
1-1/2"	2.765	70.23	3.29	83.57	2.765	70.23	3.12	79.25	3.30	83.82	.24	6.10	1.32	33.53
2"	3.469	88.11	3.92	99.57	3.469	88.11	3.72	94.49	4.00	101.60	.24	6.10	1.58	40.13
3"	4.875	123.83	4.76	120.90	4.875	123.83	4.67	118.62	5.50	139.70	.24	6.10	1.82	46.23
4"	6.000	152.40	5.65	143.51	6.000	152.40	5.60	142.24	6.60	167.64	.24	6.10	2.10	53.34

Contact factory for verification of dimensions prior to any machining.

MP-1 SERIES

How to Order

Part Number Example: SVMP-1N8-8F

Material ¹	Body Type	Series	Coupling Half	Coupling Size	End Fitting Size	Type of ¹ End Fitting	Seal ¹ Material		
High strength steel - no letter designation required S Stainless Steel	V Valved	MP-1	C Coupler	4 - 1/4"	2 - 1/8"	F Female NPSF ²	** Nitrile (AMS3215)		
				6 - 3/8"	4 - 1/4"				
				8 - 1/2"	6 - 3/8"				
				12 - 3/4"	8 - 1/2"				
				16 - 1"	12 - 3/4"				
	P Plain		N Nipple	20 - 1-1/4"	16 - 1"	M Male NPT	V Viton (MIL-R-25897)		
				24 - 1-1/2"	20 - 1-1/4"				
				32 - 2"	24 - 1-1/2"				
				40 - 2-1/2"	32 - 2"			RP Female British Parallel BS2779	JF Nitrile (MIL-P-5315)
				48 - 3"	40 - 2-1/2"				
64 - 4"	48 - 3"	EF Female SAE O'Ring Boss	M Nitrile (MIL-P-25732)						
	64 - 4"			E Ethylene Propylene					
				EM Male SAE 37°	AS Aflas K Kalrez				

¹For other end fittings and seal or coupling materials, consult the factory.

²NPSF Female straight pipe thread on sizes to 1" taper pipe on sizes above 1".

Pressure Ratings psi (bar)

Size	Steel	Stainless Steel
1/4"	6500 (448)	5000 (344)
3/8"	4500 (310)	4000 (275)
1/2"	4000 (275)	3750 (259)
3/4"	3500 (241)	2000 (138)
1"	2000 (138)	2000 (138)
1-1/4"	1750 (120)	1500 (103)
1-1/2"	1500 (103)	1500 (103)
2"	1500 (103)	500 (34)
2-1/2"	1000 (69)	400 (28)
3"	750 (52)	400 (28)
4"	500 (34)	300 (21)

Burst pressures listed were taken at the point at which failure rendered the quick-disconnect inoperative. (Proof pressure equals 1-1/2 times working pressure. Burst pressure equals 2 times working pressure.)

NOTE: Pressure ratings were established under static pressure conditions. For high impulse applications, multiply the above pressure ratings by .6 for approximate pressure ratings.

Maximum Recommended Connect/Disconnect Pressure

Size	psi (bar)
1/4"	400 (28)
3/8"	200 (14)
1/2"	100 (7)
3/4"	50 (3)
1"	45 (3)
1-1/4"	30 (2)
1-1/2"	30 (2)
2"	20 (2)
3"	10 (.7)
4"	5 (.3)

Air Inclusion on Connect, Spillage on Disconnect

Size (inches)	Spillage (cc)	Inclusion (cc)
1/4	1.2	1.2
3/8	1.4	1.4
1/2	4.2	4.2
3/4	10.5	10.5
1	19.6	19.6
1-1/4	30.8	30.8
1-1/2	55.2	55.2
2	85.3	85.3
3	262.0	262.0
4	443.0	443.0

Note: Air inclusion at 0 psi internal pressure. Spillage at 15 psi (1 bar) internal pressure.

Separation Forces at 1000 psi (69 bar)

Size (inches)	Forces in Pounds (kilograms)
1/4	150 (68)
3/8	240 (110)
1/2	410 (186)
3/4	780 (355)
1	1100 (499)
1-1/4	1600 (725)
1-1/2	2300 (1043)
2	4000 (1814)
3	9760 (4435)
4	16800 (7620)